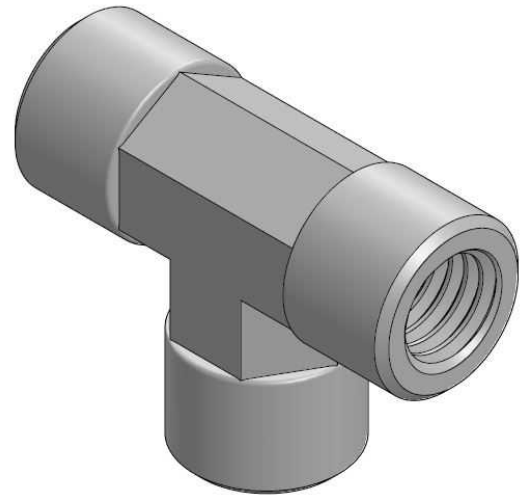
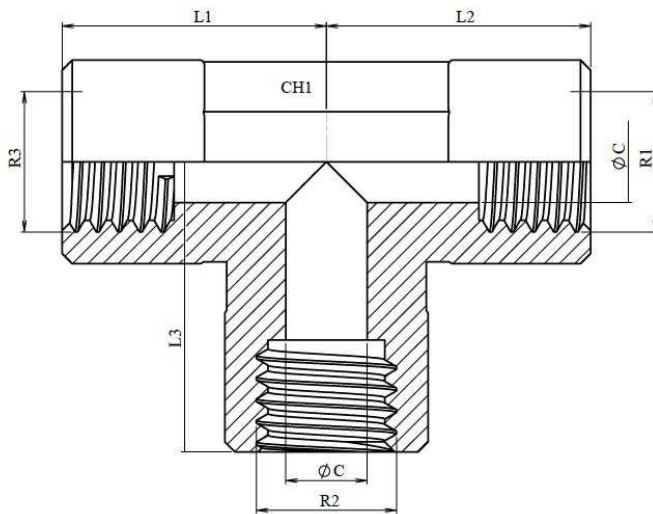


Tee BSP fixed female forge

Carbon steel



Part nº	R1	R2	R3	L1	L2	L3	CH1	ØC
S122602	1/8" BSP	1/8" BSP	1/8" BSP	20	20	20	14	8
S122604	1/4" BSP	1/4" BSP	1/4" BSP	22	22	22	17	10
S122606	3/8" BSP	3/8" BSP	3/8" BSP	30	30	30	19	12
S122608	1/2" BSP	1/2" BSP	1/2" BSP	35	35	35	24	17,5
S122612	3/4" BSP	3/4" BSP	3/4" BSP	45	45	45	27	16
S122616	1" BSP	1" BSP	1" BSP	47	47	47	41	25
S122620	1"1/4 BSP	1"1/4 BSP	1"1/4 BSP	48	48	48	48	39,5
S122624	1" 1/2 BSP	1" 1/2 BSP	1" 1/2 BSP	53	53	53	65	32
S122632	2" BSP	2" BSP	2" BSP	60	60	60	70	57